

04S[®]

Special Cameras



PT miniCam

PAN & TILT MINI CAMERA HEAD

An affordable Pan & Tilt remote-controlled camera head with compact design, for high-quality HD productions.

Designed for stand-mounting and hanging, it is fast and flexible, giving the possibility to realize camera movements where an ordinary PTZ cannot be used.

04S offers a package with unbelievable picture quality that suits all the needs that can be met with this type of camera:

- Horizontal field of view (HFoV) from 50° to 129°
- Camera picture remote control
- Remote iris control
- Ruggedized connectors with only one cable for all functions



PT miniCam

PAN & TILT MINI CAMERA HEAD

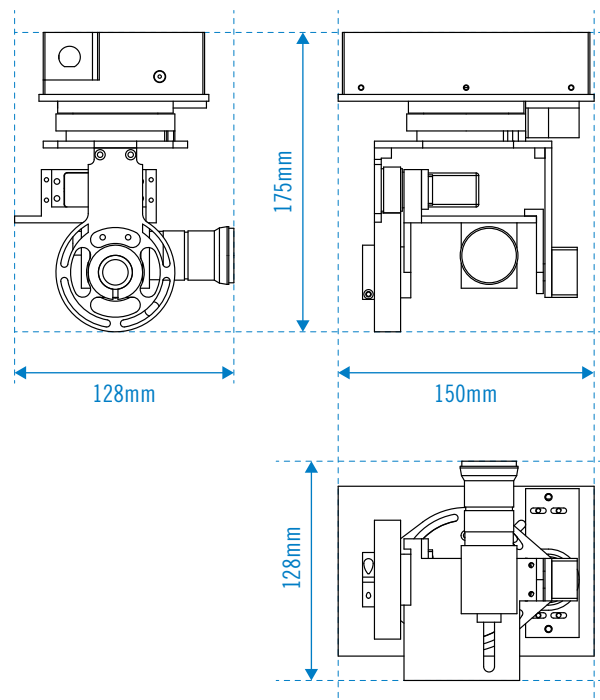
Full Specs:

PT MiniCam		
Image Sensor	1/ 2.8" Megapixel Sony Exmor CMOS Sensor	
Scanning System	Progressive, Interlace	
Total number of pixels	1952 (H) x 1116 (V)	
Lens Mount	-	
Video Output Mode	HD-SDI: 1920x1080p (30/25fps), 1920x1080i (60/50fps), 1920x1280x750p (60/50fps) 3G-SDI: 1920x1080p (60/50fps)	
Sync. System	Internal	
Genlock	N/A	
Video Output Level	HD-SDI, 3G-HDI (Level A)	
Min. Illumination	Color: 0.2Lux @ F1.2 / B/W: 0.01@F1.2	
Shutter	Auto / Manual (1/30~1/50,000 & x2~x30)	
White Balance	ATW/AWC – Set/ Indoor/ Outdoor/ Manual	
Gain Setting	AGC 1-15 Level, MANUAL 0-100 Level (Default 40)	
Auto Exposure Detection	4 Areas, 4 modes: Off / WDR / BLC / HSBC	
Flicker Cancellation	FLK – Shutter mode	
Detail	0~15 Level	
Color Correction	YES	
Color Saturation Adjustment	YES	
Noise reduction	2D, 3D	
Gamma Correction	YES	
Master Pedestal	YES	
Pedestal (R,G,B)	R, B	
Color Balance	R, B	
Pixel Defect (dead pixel compensation)	3 modes: real time, static point, black points	
D-WDR/ACCE wide Dynamic Range	Low / Middle / High/ Off, 0~15 steps	
Image Flip	Up / Upsidedown / Mirror / V-flip / Rotate / D-Zoom / Neg.Image	
Camera Control Options	Remote RCP	
Varifocal Lens	2.2mm – 6mm (2.7x)	
Iris Range	F1.3 – Close	
Operation	Zoom	Manual
	Focus	Manual
	Iris	Motorized remotely (RCP002)
	Pan & Tilt	Joystick Controller
Angle Of View (HXV) 16:9	WIDE	129°43' x 75°23'
	TELE	50°30' x 28°38'
Focusing Range	Tele: ∞ - 0.3m (wide: ∞ - from Front of Lens)	
Resolution	3 Megapixel, Exceeds 1920 x 1080 HD Cameras	
Object Dimension At M.O.D. 16:9	WIDE	1324 x 479
	TELE	293 x 158
Operating / Storage – Temperature	-5°C~+ 50°C (Humidity: 0%RH ~80%RH) -20°C~+ 60°C (Humidity: 0%RH~90%RH)	
Power – Consumption	DC12V @ 4W	
Dimension (LxWxH)	128 x 150 x 175mm	
Weight	1,1Kg	

Connection Diagram:



Dimensions:



omnicam4sky.tv

Estúdios MEDIAPRO Portugal · Asseiceira Grande · 2665-618 Venda do Pinheiro · Portugal
+351 210 180 810 · info@omnicam.pt

[/omnicam4sky](https://www.facebook.com/omnicam4sky)

[@omnicam4sky](https://www.instagram.com/omnicam4sky)