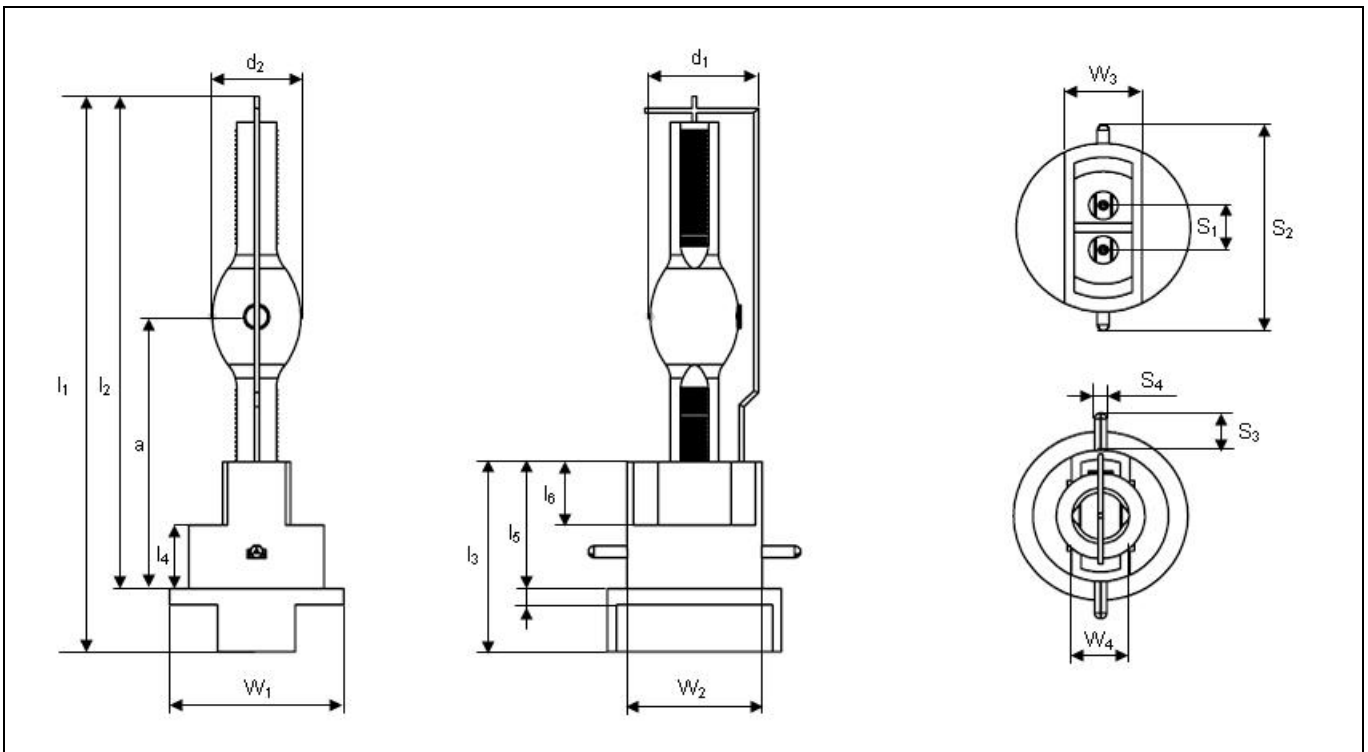




■ Product description

The OSRAM Lok-it!® HTI® 1700/PS is a highly efficient, single-ended short-arc metal halide lamp with 6000 Kelvin colour temperature. The new Lok-it!® plug'n'play system allows a quick one-touch lamp replacement. A respectively designed lamp holder – type PGJX28 – is available, too. It is very compact and hence allows cold start of the lamp only. Featuring OSRAM's XS-Technology, the lamp stands pinch temperatures up to 500°C.



■ Technical data lamp

Order reference	Lok-it!®	HTI® 1700/PS	Bulb diameter d_2	mm	22
Ignition voltage (cold/hot; Mhz igniter)	kV _s	5 / 10 (max.)	Bulb diameter d_1 (incl. current bar)	mm	26
Rated lamp wattage	W	1700	Base height part l_4	mm	13
Rated lamp voltage	V	85	Base height part l_5	mm	27
Rated lamp current (-)	A	20	Base height part l_6	mm	13
Luminous flux	lm	140.000	Base plate diameter w_1	mm	36
Luminous efficacy	lm/W	82	Base neck width w_2	mm	28
Color temperature	K	6 000	Base handle width w_3	mm	16,3
Color rendering index	Ra	90	Base neck width w_4	mm	12
Average service life	h	750	Base pin inner distance s_1	mm	19
Light arc length	mm	5,5	Base pin outer distance s_2	mm	43,5
Lamp length (overall) l_1	mm	125	Base pin length s_3	mm	8
Lamp length l_2	mm	105	Base pin width s_4	mm	2,5
LCL a	mm	60	Base (pre-focus/bayonet)	PGJ28 Lok-it!®	
Base height (overall) l_3	mm	40			

Technical Information

No. 5908

Edition: 01/15 - subject to change

Supersedes: 03/12

Status: valid



plug'n'play Metal Halide Lamp

Lok-it![®] HTI[®] 1700/PS

■ Lamp operation

Maximum pinch seal
temperature allowed

°C

500 / with eXtreme Seal Technology (measured at welding point)

Cooling

forced cooling / fan required

Burning position

any

The Lok-it![®]HTI[®] 1700/PS is designed to be operated on electronic power supplies (ECG) only.